

**TECHNICAL MANUAL**

**Plastic Laminated Diagrams for Operator, Organizational,  
Direct Support, General Support and Depot Maintenance  
CENTRAL OFFICE, TELEPHONE, MANUAL AN/TTC-29  
(NSN 5805-00-935-8082)**

---

**NOTICE TO USERS**

This package contains two diagrams from TM 11-5805-582-15 that have been plastic laminated for use in the maintenance of Central Office, Telephone Manual AN/TTC-29. The package also contains a questionnaire on the Usability of Plastic Laminated Diagrams. To help us evaluate the usability of these diagrams, please fill out the questionnaire, fold it where shown, and drop it in the mail.

If your package has no questionnaire, you can still express your opinion on the usability of the diagrams by submitting comments and recommendations using DA Form 2028 (Recommended Changes to Publications and Blank Forms). Send to Commander, US Army Electronics Command, ATTN: DRSEL-MA-Q, Fort Monmouth, New Jersey 07703

**CONTENTS**

Figure 5-2. AN/TTC-29, AC Power Distribution Schematic Diagram.  
Figure 5-3. AN/TTC-29, Signal Schematic-Wiring Diagram.

---

By Order of the Secretary of the Army:

FRED C. WEYAND  
*General, United States Army  
Chief of Staff*

Official:

PAUL T. SMITH  
*Major General, United States Army  
The Adjutant General*

QUESTIONNAIRE ON:  
USABILITY OF PLASTIC-LAMINATED DIAGRAMS

INSTRUCTIONS. 1. PLACE CHECK MARK OR X IN THE BLANK SPACE THAT BEST DESCRIBES YOUR EVALUATION OF THE USABILITY OF THE DIAGRAMS. ADDITIONAL COMMENTS MAY BE INCLUDED WHERE INDICATED ON THE QUESTIONNAIRE.

2. FOLD THE COMPLETED QUESTIONNAIRE WHERE SHOWN AND DROP IT IN THE MAIL.

① DID YOU FIND THE PLASTIC-LAMINATED DIAGRAMS MORE USABLE IN YOUR WORK THAN CONVENTIONAL PAPER DIAGRAMS?

COMMENTS:

YES

NO

② WHERE WOULD YOU LIKE TO SEE MORE PLASTIC-LAMINATED DIAGRAMS?

COMMENTS:

AS PART OF  
THE TM   
ISSUED

SEPARATELY

PACKED WITH  
THE EQUIPMENT

③ WHAT DO YOU THINK OF THE THICKNESS OF THE LAMINATE?

COMMENTS:

TOO  
THIN

TOO  
THICK

JUST  
RIGHT

④ WHAT TYPES OF DIAGRAMS DO YOU THINK ARE BEST SUITED FOR PLASTIC LAMINATION?

COMMENTS:

SCHEMATIC

WIRING

BLOCK

OTHER

(EXPLAIN)

⑤ DO YOU HAVE ANY RECOMMENDATIONS FOR MAKING DIAGRAMS MORE USABLE IN YOUR TYPE OF WORK?

COMMENTS:

YES

NO

FROM: \_\_\_\_\_ UNIT: \_\_\_\_\_  
NAME ADDRESS

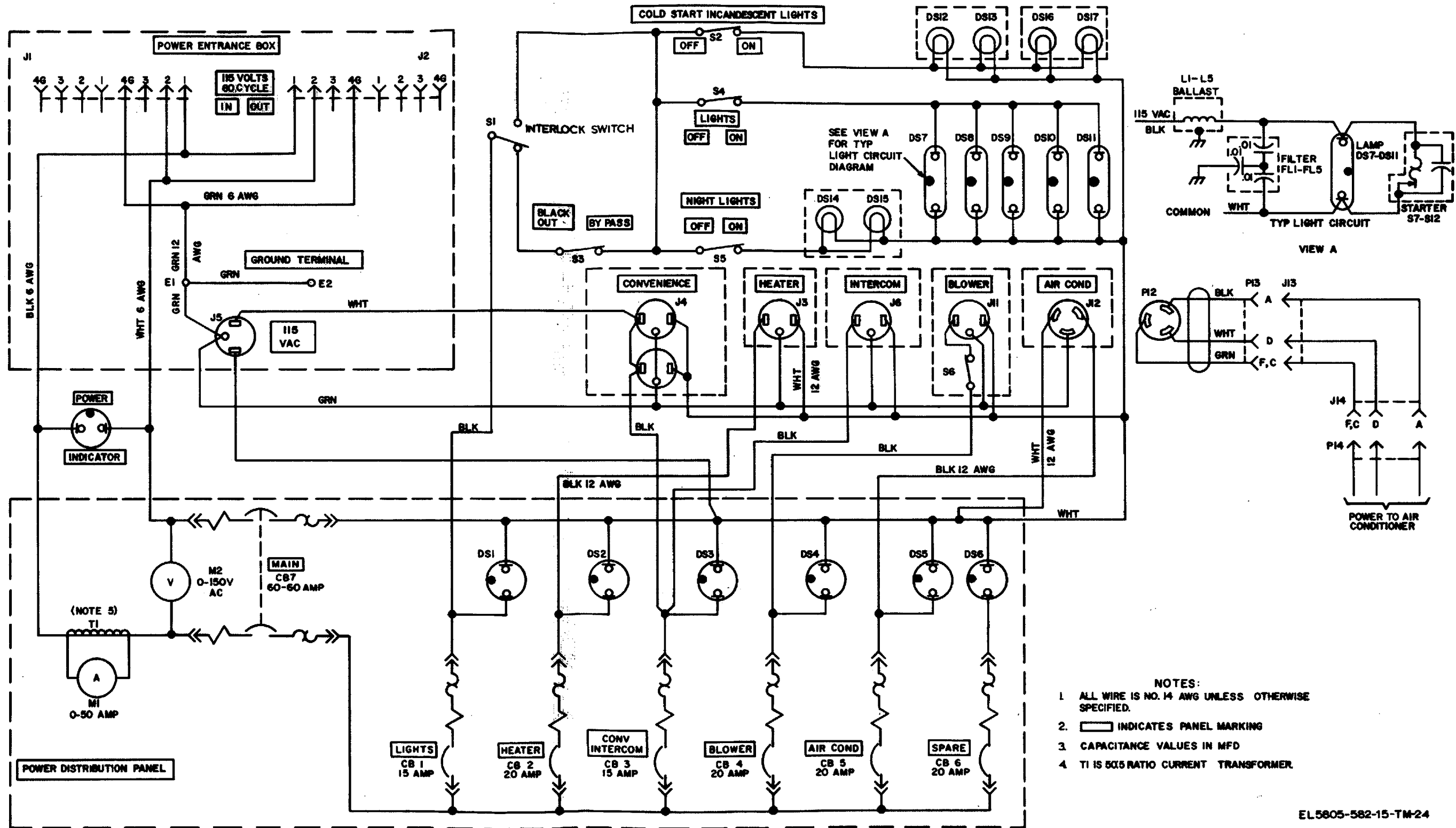


FIGURE 5-2. AN/TTC 29, AC POWER DISTRIBUTION SCHEMATIC DIAGRAM.

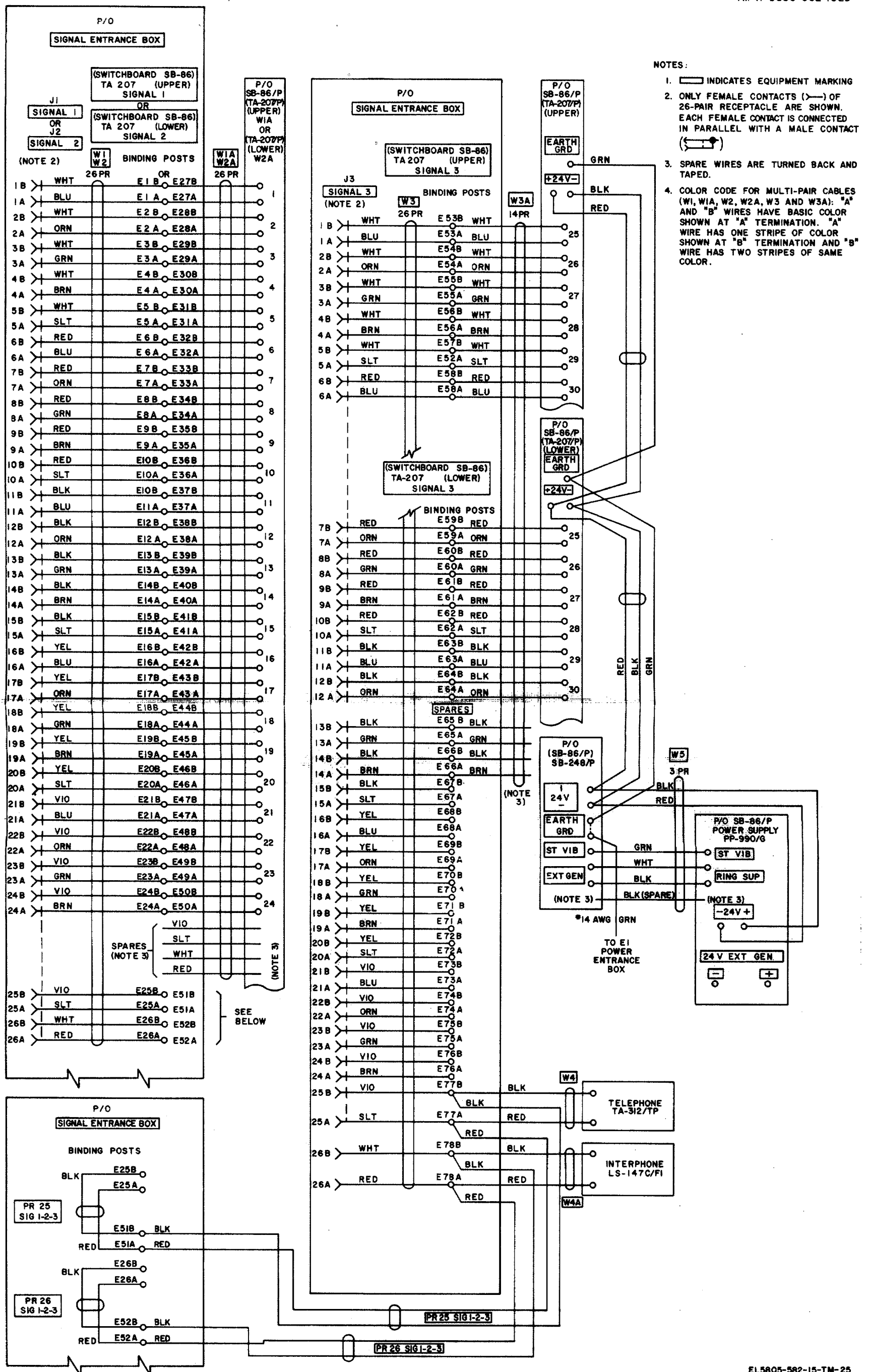


FIGURE 5-3. AN/TTC-29, SIGNAL SCHEMATIC-WIRING DIAGRAM.

RECOMMENDED CHANGES TO EQUIPMENT TECHNICAL PUBLICATIONS



THEN...JOT DOWN THE  
DOPE ABOUT IT ON THIS FORM.  
CAREFULLY TEAR IT OUT, FOLD IT  
AND DROP IT IN THE MAIL.

SOMETHING WRONG WITH PUBLICATION

FROM: (PRINT YOUR UNIT'S COMPLETE ADDRESS)

DATE SENT

PUBLICATION NUMBER

PUBLICATION DATE

PUBLICATION TITLE

BE EXACT PIN-POINT WHERE IT IS

PAGE  
NO.

PARA-  
GRAPH

FIGURE  
NO.

TABLE  
NO.

IN THIS SPACE, TELL WHAT IS WRONG  
AND WHAT SHOULD BE DONE ABOUT IT.

PRINTED NAME, GRADE OR TITLE AND TELEPHONE NUMBER

SIGN HERE

# THE METRIC SYSTEM AND EQUIVALENTS

## WEIGHT MEASURE

1 Centimeter = 10 Millimeters = 0.01 Meters = 0.3937 Inches  
 1 Meter = 100 Centimeters = 1000 Millimeters = 39.37 Inches  
 1 Kilometer = 1000 Meters = 0.621 Miles

## WEIGHTS

1 Gram = 0.001 Kilograms = 1000 Milligrams = 0.035 Ounces  
 1 Kilogram = 1000 Grams = 2.2 lb.  
 1 Metric Ton = 1000 Kilograms = 1 Megagram = 1.1 Short Tons

## LIQUID MEASURE

1 Milliliter = 0.001 Liters = 0.0338 Fluid Ounces  
 1 Liter = 1000 Milliliters = 33.82 Fluid Ounces

## SQUARE MEASURE

1 Sq. Centimeter = 100 Sq. Millimeters = 0.155 Sq. Inches  
 1 Sq. Meter = 10,000 Sq. Centimeters = 10.76 Sq. Feet  
 1 Sq. Kilometer = 1,000,000 Sq. Meters = 0.386 Sq. Miles

## CUBIC MEASURE

1 Cu. Centimeter = 1000 Cu. Millimeters = 0.06 Cu. Inches  
 1 Cu. Meter = 1,000,000 Cu. Centimeters = 35.31 Cu. Feet

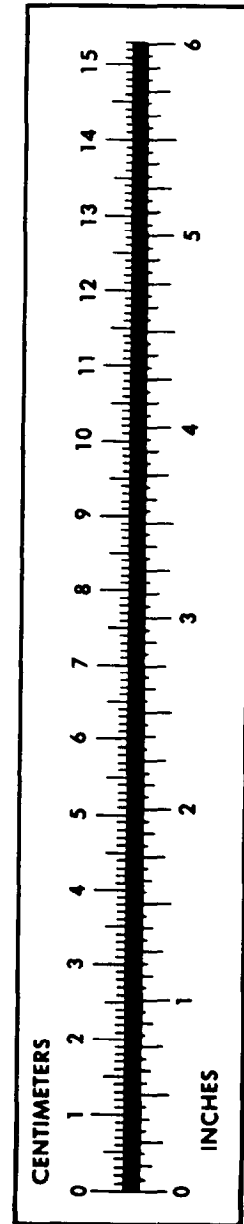
## TEMPERATURE

$5/9(^{\circ}\text{F} - 32) = ^{\circ}\text{C}$   
 212° Fahrenheit is equivalent to 100° Celsius  
 90° Fahrenheit is equivalent to 32.2° Celsius  
 32° Fahrenheit is equivalent to 0° Celsius  
 $9/5^{\circ}\text{C} + 32 = ^{\circ}\text{F}$

## APPROXIMATE CONVERSION FACTORS

TO CHANGE	TO	MULTIPLY BY
Inches	Centimeters	2.540
Feet	Meters	0.305
Yards	Meters	0.914
Miles	Kilometers	1.609
Square Inches	Square Centimeters	6.451
Square Feet	Square Meters	0.093
Square Yards	Square Meters	0.836
Square Miles	Square Kilometers	2.590
Acres	Square Hectometers	0.405
Cubic Feet	Cubic Meters	0.028
Cubic Yards	Cubic Meters	0.765
Fluid Ounces	Milliliters	29.573
its	Liters	0.473
arts	Liters	0.946
allons	Liters	3.785
Ounces	Grams	28.349
Pounds	Kilograms	0.454
Short Tons	Metric Tons	0.907
Pound-Feet	Newton-Meters	1.356
Pounds per Square Inch	Kilopascals	6.895
Miles per Gallon	Kilometers per Liter	0.425
Miles per Hour	Kilometers per Hour	1.609

TO CHANGE	TO	MULTIPLY BY
Centimeters	Inches	0.394
Meters	Feet	3.280
Meters	Yards	1.094
Kilometers	Miles	0.621
Square Centimeters	Square Inches	0.155
Square Meters	Square Feet	10.764
Square Meters	Square Yards	1.196
Square Kilometers	Square Miles	0.386
Square Hectometers	Acres	2.471
Cubic Meters	Cubic Feet	35.315
Cubic Meters	Cubic Yards	1.308
Milliliters	Fluid Ounces	0.034
Liters	Pints	2.113
Liters	Quarts	1.057
ers	Gallons	0.264
ms	Ounces	0.035
ograms	Pounds	2.205
Metric Tons	Short Tons	1.102
Newton-Meters	Pounds-Feet	0.738
Kilopascals	Pounds per Square Inch	0.145
ometers per Liter	Miles per Gallon	2.354
ometers per Hour	Miles per Hour	0.621



**PIN: 015494**